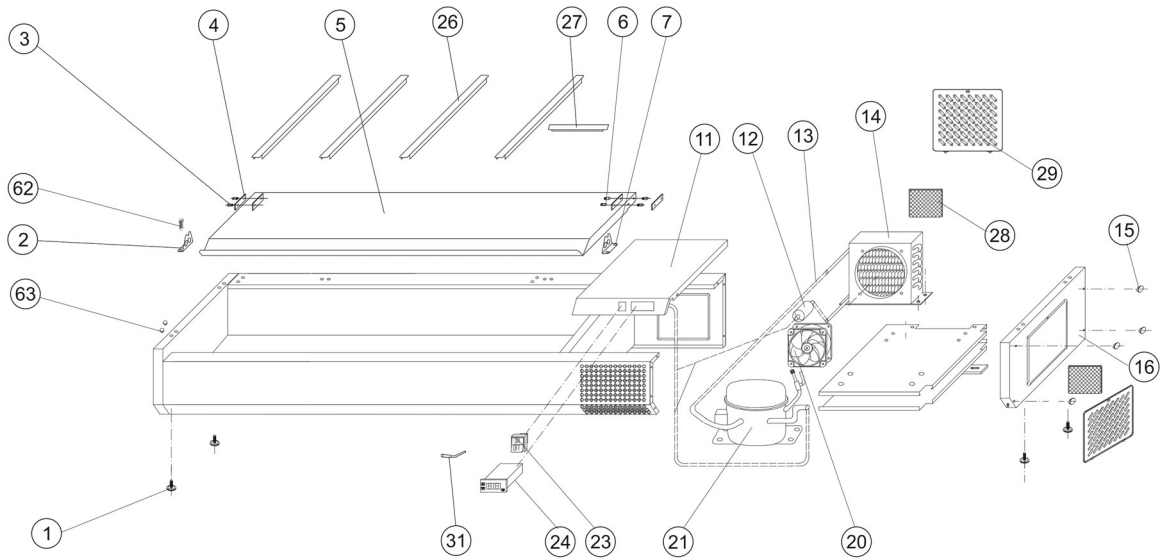


16515 / VK38-120 S/S LID

Position	ItemNo	Description
01	14579	Feet M8
02	12800	Cover Hinge Right/Left
03	12795	Cover Hinge Axis
04	13169	Strengthening Board
05	13163	Stainless Steel Lid
06	12907	Nut For Cover Hinge Axis
07	12799	Cover Hinge Right Flat
11	11869	Unit Room Cover For Compressor
12	15722	Filter Drier 20 G
13	13237	Defrost Water Coil
14	14193	Condensor
15	10068	Plastic Cap
16	11322	Unit Side
17	32629	Plug
20	13318	Cond./Evap. Fan Rah1238B
21	11725	Compressor HDL100A R600A
	11726	Compressor HDL140A R600
	11734	Compressor HXD55AA R600A
23	13754	Main Switch
24	14061	Thermostat XR02CX 2 Probes
26	14761	Divider For GN1/3 Pans 326x18 mm
27	14770	Divider For GN1/6 Pans 178x16 mm
28	10020	Filter 182 x 215 mm
29	10017	Dust Filter Cover
30	10039	Cover For Screw
31	13896	Probe NTC Dixell/Carel 10 Kohm
62	10098	Screw M5x16

2023-01-16

16515 / VK38-120 S/S LID



VK38-nnn-S/S Lid